
ZSE2-2C1692 (ORDER NO. 070752)

ZSE, 3-stage

- ▶ 3-stage function
- ▶ 30.5 mm installation dimension
- ▶ Suitable, e.g. for installation in the hand-held pendant stations HBL or housing G2 or G3



Description

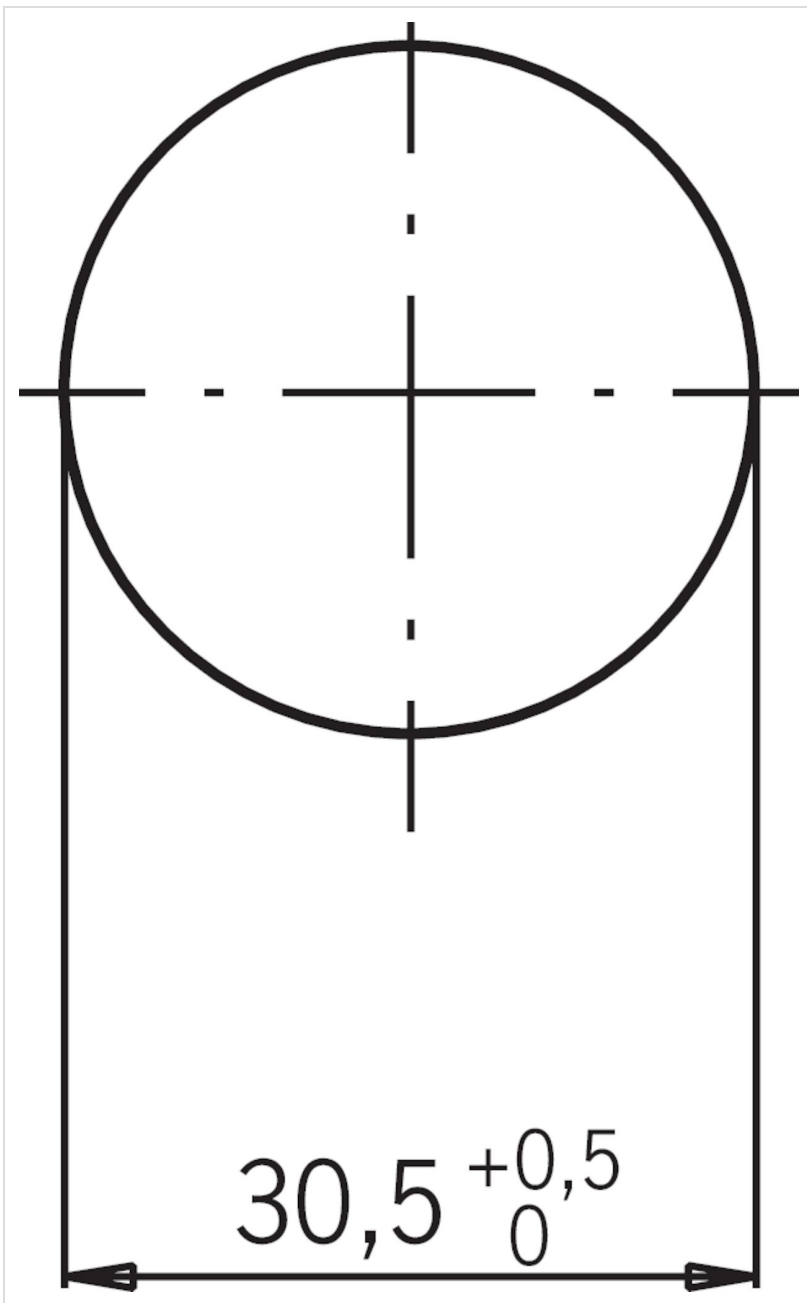
Switching element

210 2NO + 1NC (→)

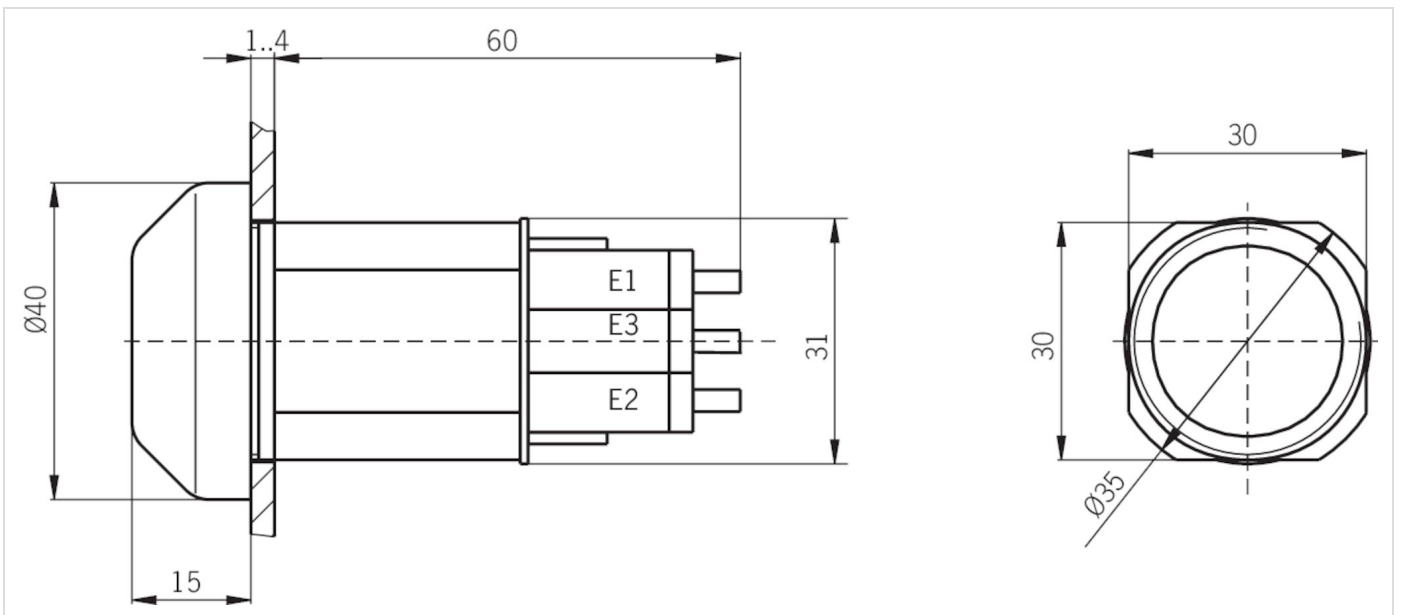
3-stage function

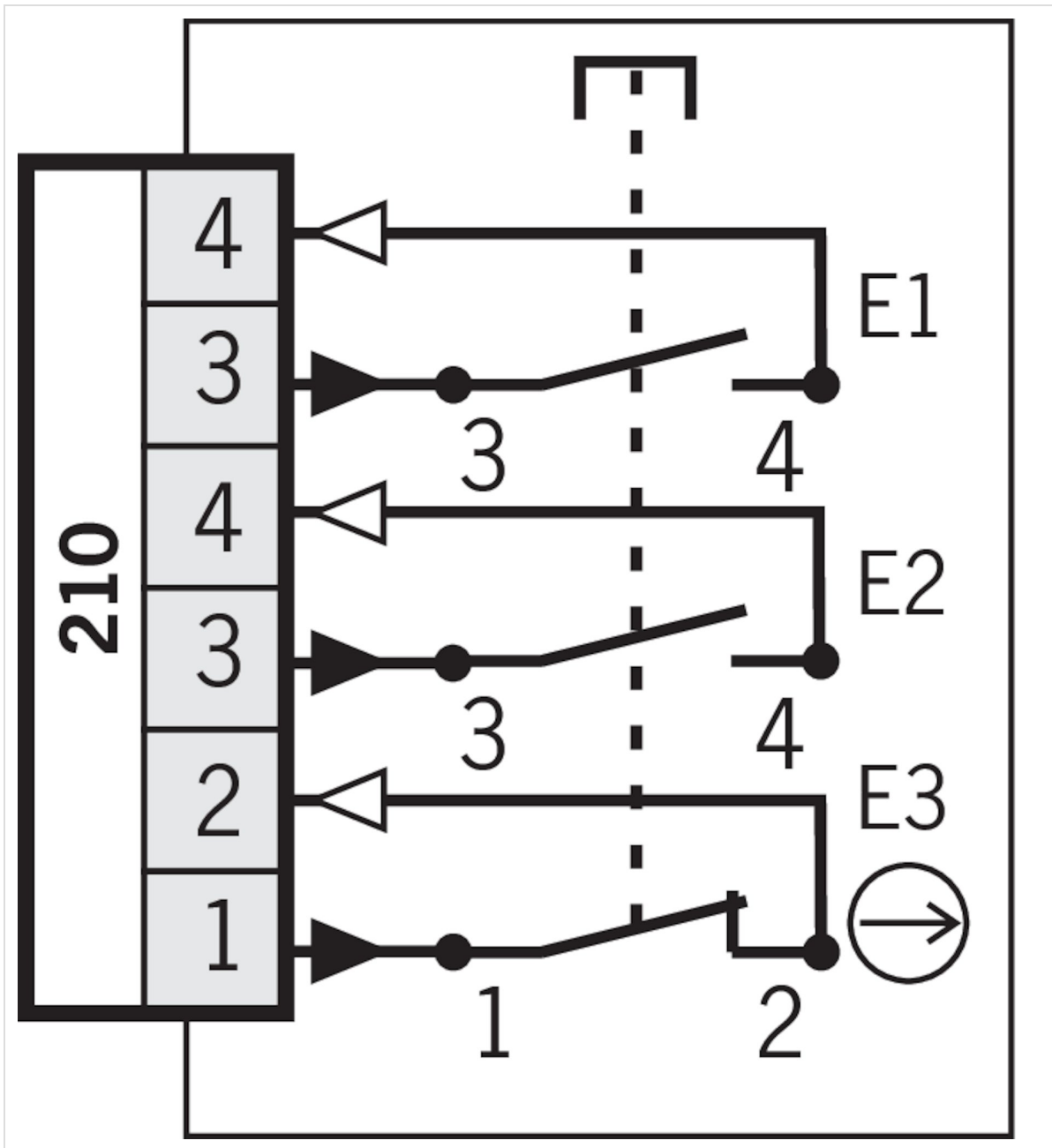
Enabling function is active only in the second stage (middle position, actuating point). If the pushbutton is released or pushed further (panic function), the enabling is removed (dependent on the wiring, see function sequence).

Dimension drawing

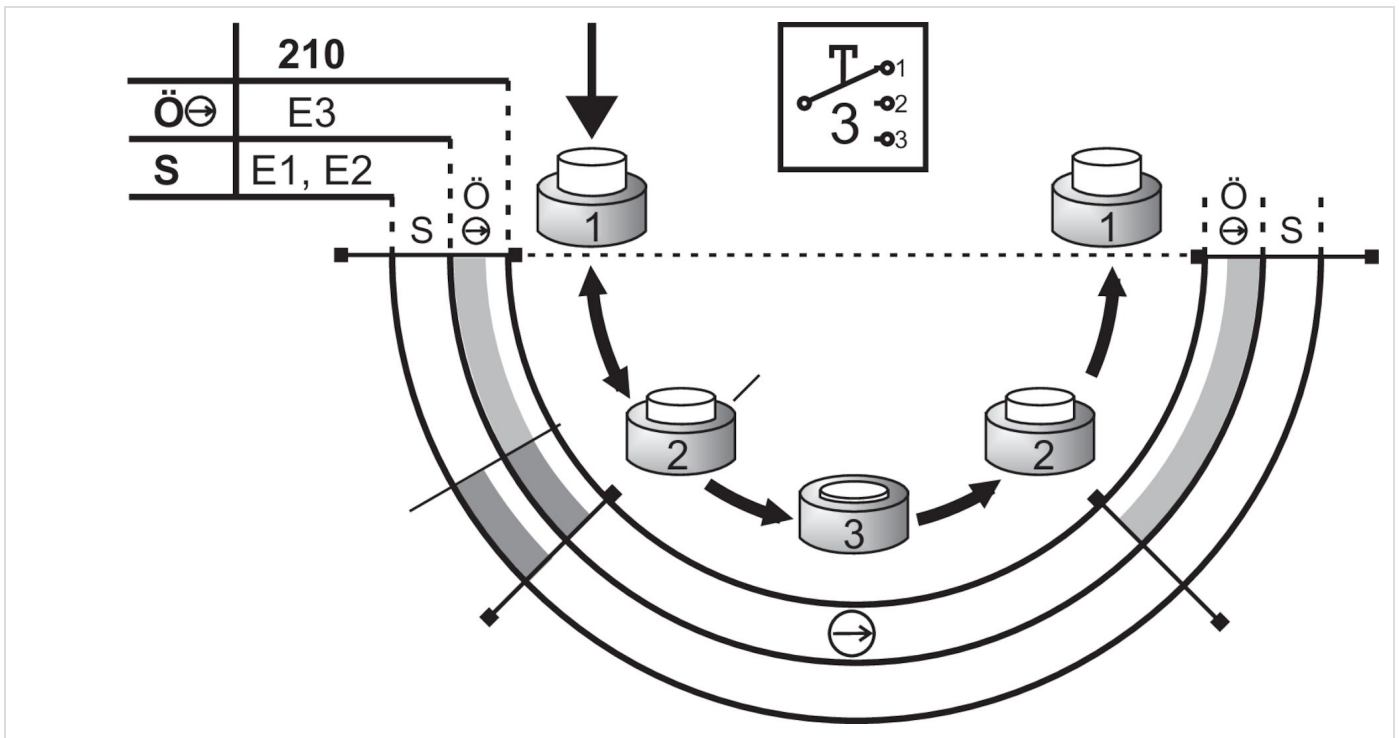


Dimension drawing





Travel diagram



- open
- closed
- closed, enabling

Technical data

Approvals



Mechanical values and environment

Material	Cap Elastomer PAK arm, black
Housing material	Housing Plastic, color black
Weight	Net 0,1 kg
Ambient temperature	-5 ... 60 °C
Degree of protection	IP65 (On the front) IP00 (Connections)
Mechanical life	Position 1-2-3-1 0,1 x 10 ⁶ Position 1-2-1 0,1 x 10 ⁶
Switching principle	Slow-action contact element
Installation orientation	Any
Number of positively driven contacts	1
Number of NO contacts	2
Connection	Tab connector 2.8 x 0.8 IEC 760

Electrical connection ratings

Rated conditional short-circuit current	100 A
Utilization category acc. to EN 60947-5-1	AC-15 4A 230V DC-13 3A 24V
Short circuit protection according to IEC 60269-1	4A gG
Rated insulation voltage U _i	250 V
Rated impulse withstand voltage U _{imp}	2,5 kV
Switching voltage	at 10mA min.12 V
Switching current	at 24V min.1 mA
Degree of contamination (external, according to EN 60947-1)	Industry 3

Other

In compliance with	60947-5-8
--------------------	-----------

Reliability values according to EN ISO 13849-1

	Enabling switch
B10 _D	0,5 x 10 ⁶

Contacts

🏠 EUCHNER GmbH + Co. KG
Kohlhammerstraße 16
70771 Leinfelden-Echterdingen

☎ +49 711 7597-0

📠 +49 711 753316

✉ [info\(at\)euchner.de](mailto:info(at)euchner.de)